



## IR-17 Natural Gas Conversion Instructions

To Convert your IR-17 Portable Infrared Grill from L.P. Gas to Natural Gas:-

1. Remove the existing L.P. Control Regulator (if fitted)
2. Locate the Stainless Steel 'L' shaped bracket and Natural Gas control valve onto the existing Burner inlet. (Do not fully tighten the brass fitting onto the Burner inlet at this stage.) Fig 1.
3. Thread the 6/32 screw through the 3<sup>rd</sup> slot in the stainless steel side mount housing and fix with the lock nut provided. Fig 1
4. Fully tighten both the 6/32 screw and nut, the brass connection onto the burner inlet.
5. Connect the Natural Gas regulator onto the outlet side if the incoming Natural Gas shut off valve. Fig 2.
6. Connect the flexible gas hose to the Natural Gas Control valve fitted to your IR-17. Fig 1.
7. Connect the opposite end of the flexible Hose to the 'quick disconnect' fitting located on the outlet side of the Natural Gas regulator. Fig 2.
8. Turn on the incoming gas supply and test the assembly for gas leaks using a solution of soapy water applied with a soft brush to all joints.

Your IR-17 is now suitable for operation on Natural Gas.

# Solaire

INFRARED GRILLING SYSTEMS

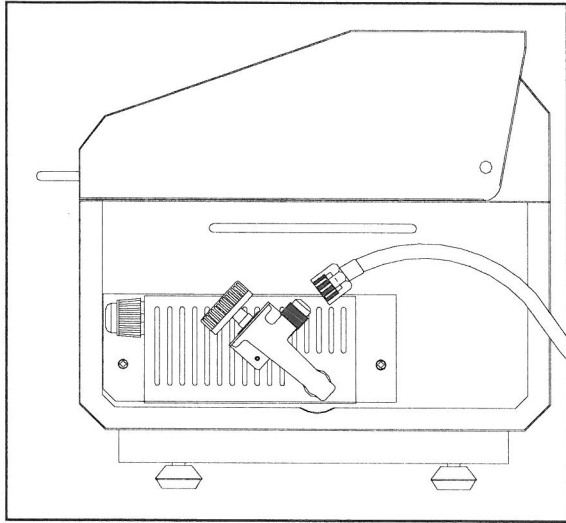


Fig 1.

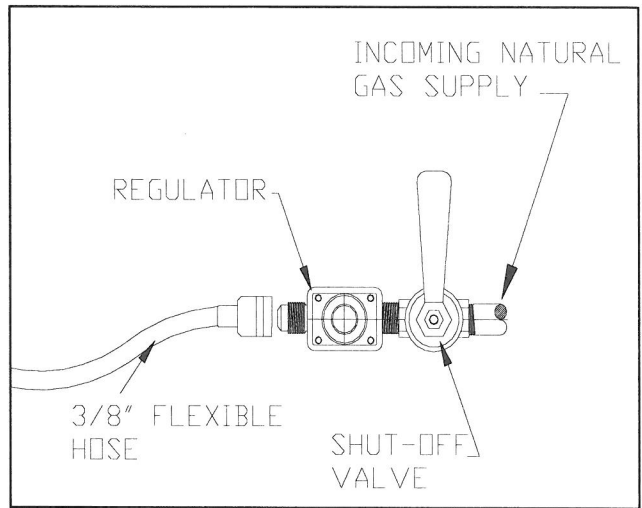


Fig 2.

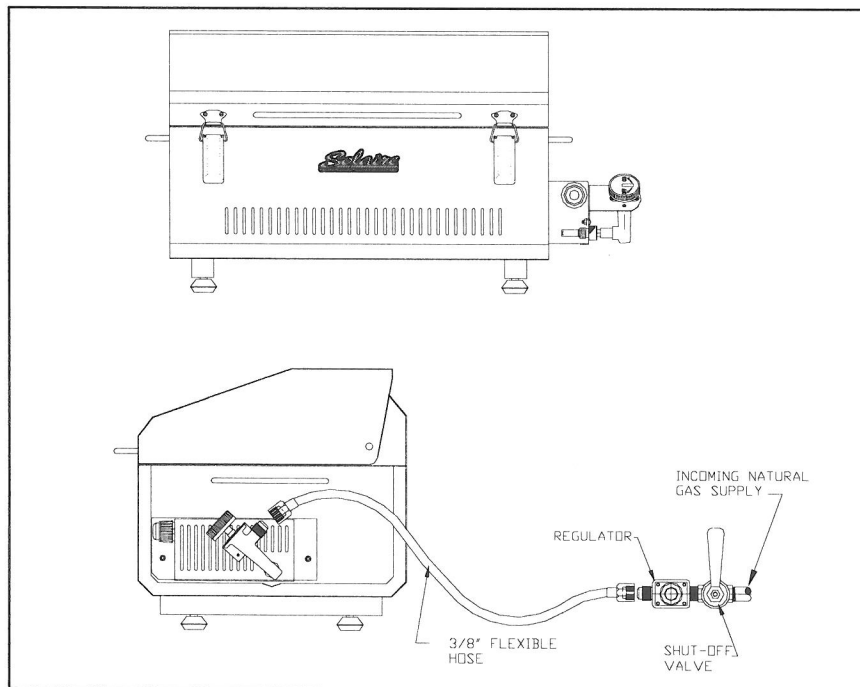


Fig 3